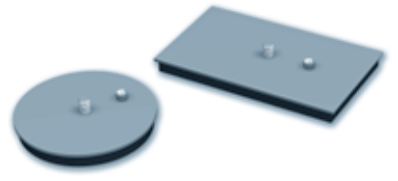


# STEEL

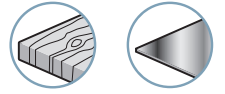
## Steel Suction Cups with Bonded Seal With Bonded Seal



For horizontal handling of heavy loads (very thick sheet metal) or objects with an uneven surface such as concrete slabs or wood, etc.

Advantage: wide selection of shapes and sizes.

Industry-specific applications



Types of use



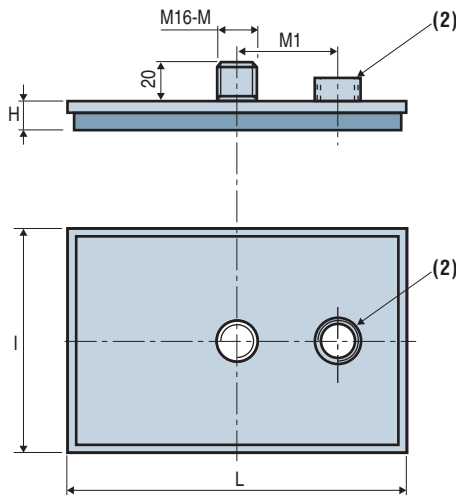
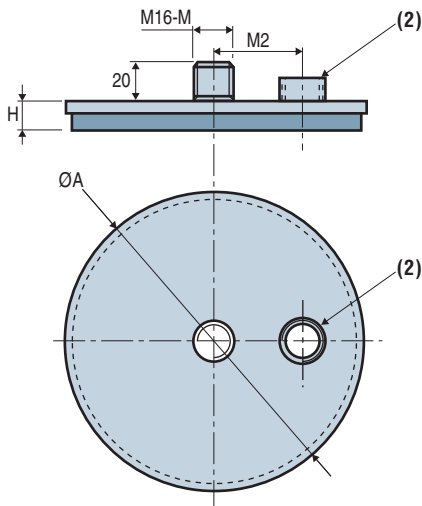
### Materials

**Body** Painted steel  
**Foam seal** Nitrile

### Suction Cup Characteristics

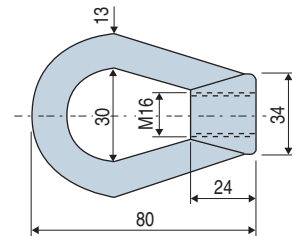
Round suction cups				Rectangular suction cups								
	Ø A	H	(N) <sup>(1)</sup>		L	I	H	M1/M2	Rac. <sup>(2)</sup>	(N) <sup>(1)</sup>	Type of seal	
<b>5020</b>	150	25	311	<b>6020</b>	175	115	25	40	G1/4"-F	332	BM 2020 SPTR	
<b>5028</b>	170	25	433	<b>6028</b>	215	115	25	45	G1/4"-F	426	BM 2020 SPTR	
<b>5035</b>	190	25	571	<b>6035</b>	225	125	25	50	G1/4"-F	513	BM 2020 SPTR	
<b>5050</b>	210	25	737	<b>6050</b>	250	150	25	60	G1/4"-F	751	BM 2020 SPTR	
<b>5085</b>	260	25	1235	<b>6085</b>	305	180	25	70	G1/4"-F	1206	BM 2020 SPTR	
<b>5150</b>	350	35	2145	<b>6150</b>	410	250	35	80	G3/8"-F	2159	BM 3030 SPTR	
<b>5240</b>	420	35	3308	<b>6240</b>	480	310	35	100	G3/8"-F	3416	BM 3030 SPTR	
<b>5330</b>	500	35	4940	<b>6330</b>	575	330	35	120	G3/8"-F	4521	BM 3030 SPTR	
<b>5500</b>	580	35	6897	<b>6500</b>	705	385	35	140	G3/8"-F	6811	BM 3030 SPTR	

(1) Force measured at 65% vacuum including a factor of 2.

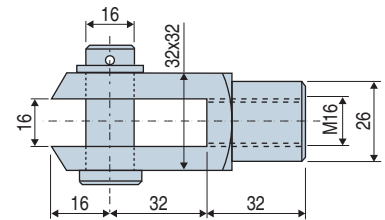


### Fittings

#### ■ 5000 An ring fitting



#### ■ 5000 Ch cap fitting



The values represent the average characteristics of our products.  
Note: All dimensions are in mm



**For all orders, please specify:**  
**Round suction cup: Model + Fitting model.**  
E.g.: 5050 5000 An

### Option

Spring system mounting, see page 4/5.